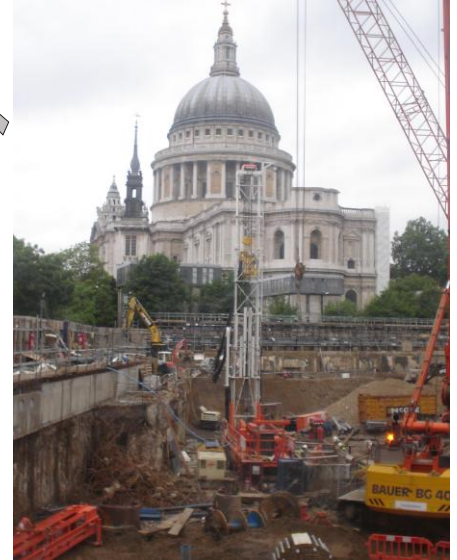
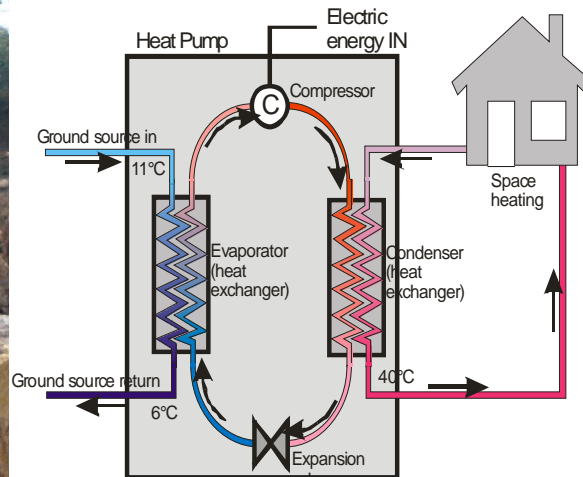


renewable energy solutions



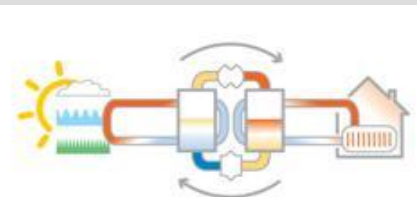
Carbon Zero Consulting is a specialist hydrogeological and thermogeological consultancy with the largest number of *independent* earth scientists and engineers working on **ground source heating/cooling** in the UK. CZC applies its experience and expertise in identifying and implementing down-to-earth, robust solutions. In the last 5 years we have had major involvement with many of the UK's larger commercial ground source heating and cooling schemes.

Our input to Ground-source heating and cooling (GSHC) schemes includes:

- Feasibility assessment and high level hydrogeology and thermogeology advice for designers, installers and users of Open and Closed-loop GSHC systems.
- Closed-loop thermal response testing and subsequent borehole array modelling utilising in-house and commercial modelling packages
- Impact assessments, modelling of hydraulic and thermal breakthrough characteristics including high level modelling of heat and 'coolth' plume movement
- Open loop borehole design, drilling & test-pumping project management and data gathering
- Expert advice on open-loop legislation, abstraction/discharge licence applications and appeals
- Impact of groundwater chemistry & microbiology on abstraction/re-injection
- Provision of training in all aspects of GSHC to commercial sector and Environment Agency
- Advice on integration of GSHC schemes with existing plant and other renewable technologies

We also have a high level of expertise in the following areas:

- Power from Micro-hydroelectric, Photovoltaic and Wind
- Biomass heating and power
- Solar hot water & its integration with other renewables
- Air source heat pump technology



Cedars Farm Barn, Market Street

t 0844 8550115 e info@carbonzeroco.com

Draycott, Derbyshire DE72 3NB

t 01332 874850 w www.carbonzeroco.com

Carbon Zero Consulting is a specialist division of JDIH (Water & Environment) Ltd. Registered in England & Wales No. 4510822.